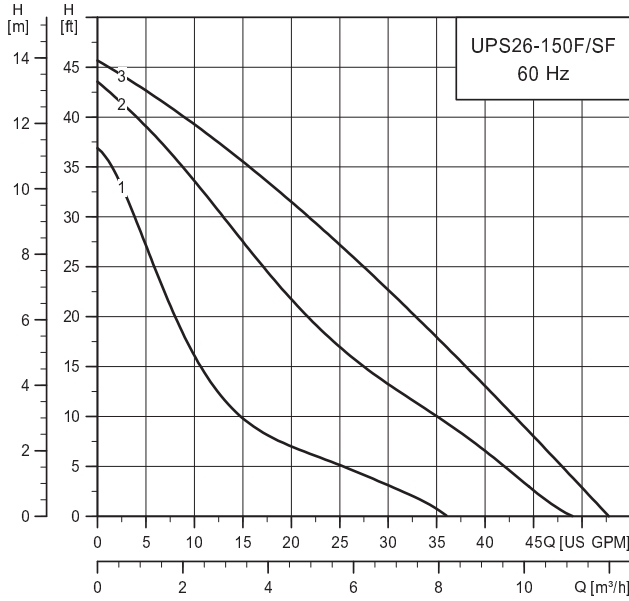
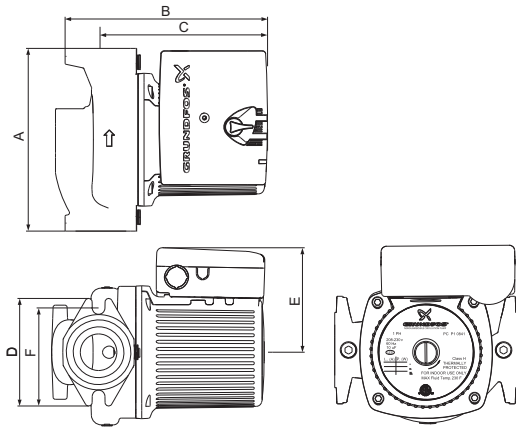


UPS 26-150 F/SF



TM04 5463 4412

UPS 26-150 F/SF



TM04 6014

Flow range: 0-53 gpm (0-12 m³h)
 Head range: 0-46 ft (0-14 m)
 Motors: 2-pole, single-phase
 Max. liquid temperature: 230 °F (110 °C)
 Min. liquid temperature: 36 °F (2 °C)
 Max. system pressure: 145 psi (10 bar)

Model	Speed	Volts	Amps	Watts	Hp	Capacitor
UPS 26-150 F/ SF	3	115	3.5	370	1/2	40µF/ 180V
	2		3.1	335	1/2	
	1		2.5	265	1/2	
UPS 26-150 F/ SF	3	208	1.7	350	1/2	10µF/ 400V
	2		1.5	310	1/2	
	1		1.2	250	1/2	
UPS 26-150 F/ SF	3	230	1.7	370	1/2	10µF/ 400V
	2		1.5	335	1/2	
	1		1.2	265	1/2	

Approvals



Model type	Product number		Dimensions [inches (mm)]						Connection type and size	Shipping weight [lbs (kg)]
	115 V	208 - 230 V	A	B	C	D	E	F		
UPS 26-150 F	95906630	95906631	6.50 (165)	7.13 (181)	5.88 (149)	3.88 (98)	3.75 (95)	3.13 (79)	GF 15/26 flange (2) 1/2" dia. bolt holes	17.4 (7.9)
UPS 26-150 SF	95906632	95906633	6.50 (165)	7.13 (181)	5.88 (149)	3.88 (98)	3.75 (95)	3.13 (79)	GF 15/26 flange (2) 1/2" dia. bolt holes	17.4 (7.9)

Note: Dimensions in inches unless otherwise noted.