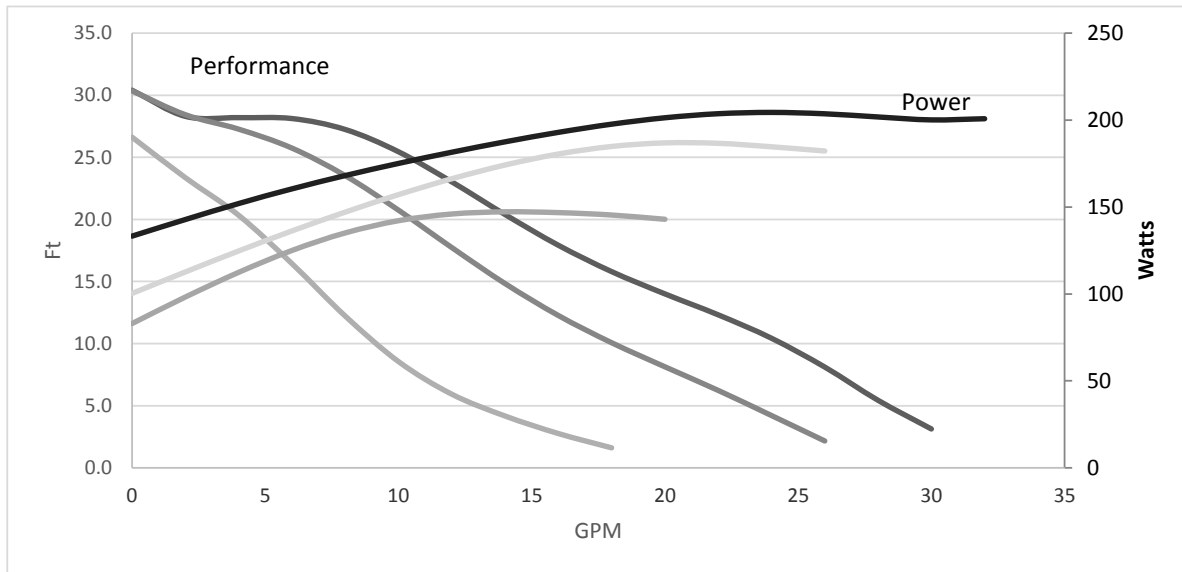


GRUNDFOS

UPS26-99SF 115V 60 Hz

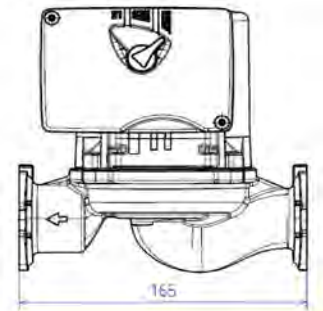
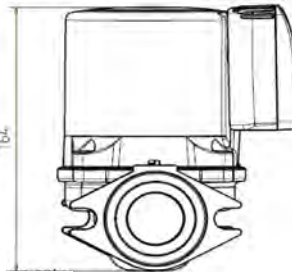
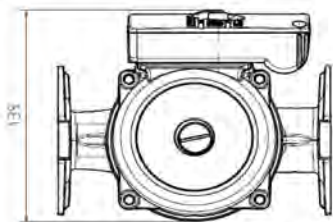
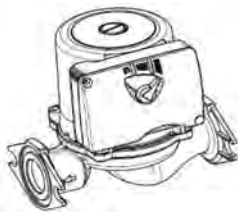
PN: 98961763



Approvals:



- Flow range: 0-30 gpm
- Head range: 0-32 feet
- Motor: 2-pole, single phase
- Internal check valve: Optional
- Max. liquid temperature: 230°F (110°C)
- Min. liquid temperature: 32°F (0°C)
- Max. system pressure: 145 psi



Pictures and dimension for reference only. Terminal box shown as 3 speed