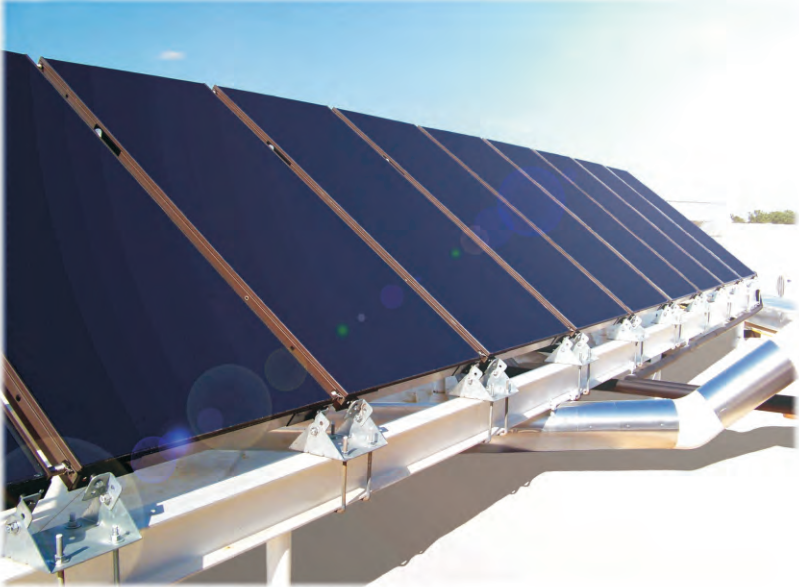


## THE PREMIER COLLECTOR

A North American assembled, reliable, high efficiency innovative collector



Okotoks, Ab Canada - Solar Community - 800 Collectors

### PRODUCT DESCRIPTION

- Collectors operating in hotels, hospitals, car washes, research and production facilities, national parks, apartment buildings, military bases, residential communities, retirement homes, public schools, restaurants, laundry mats, dairy farms, etc.
- It resembles roof-top skylights when mounted on sloped roof. Flat roof racking, wall mount and ground racking also available
- Collectors, pipe connectors and mounting components designed for quick installation in modules of up to 10 collectors
- Optimal solution for hot water and space heating needs

Harness the sun's energy to heat your water—a clean, cost-effective solution!

### FEATURES AND HIGHLIGHTS

- **Reliable**
  - One of the highest efficiency collector rated by the SRCC™
  - Thousands of collectors installed in all climates
  - Each collector is factory tested
  - Greater than 20 years life expectancy
  - Hail resistant for peace of mind
- **Energy savings**
  - Cut conventional water-heating and space heating energy requirements
  - Reduce the impact of rising energy prices
- **Designed for all climates**
  - All components are of the highest quality and durability
  - Designed for freeze-protected closed loop systems to run year-round at temperatures down to -50 °C (-58 °F)



Sarasota, FL USA - Hospital  
42 collectors

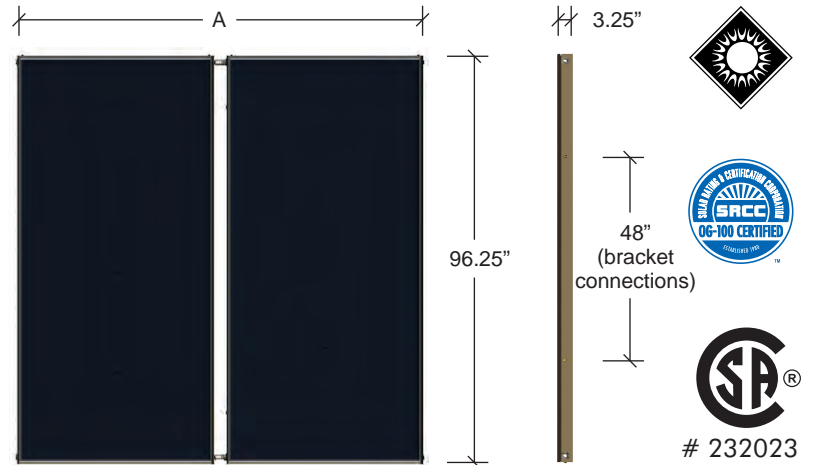
## TECHNICAL SPECIFICATIONS

Premier Solar Collector	
Dimensions (W x H x D)	46.25" x 96.25" x 3.25" (1175mm x 2445mm x 83mm)
Weight	110 lbs. (50 kg)
Absorber	Copper tube laser welded to aluminum sheet - absorptance 95%
Glazing	Low-iron, patterned, tempered glass
Assembly	All bonded construction
Configuration	Serpentine with headers
Mounting hardware	Roof, rack or wall mounted with proprietary brackets
Connections	- 3/4" sweat fittings to line-set - flexible stainless steel bellow-type between collectors
Maximum operating pressure	100 psi (689 KPa)
Fluid content	0.5 US gallons (1.9 L)
SRCC certification	<a href="#">2006006A</a>
FSEC certification	<a href="#">00447N</a>

## PRODUCT DETAILS

### SCHEMATIC

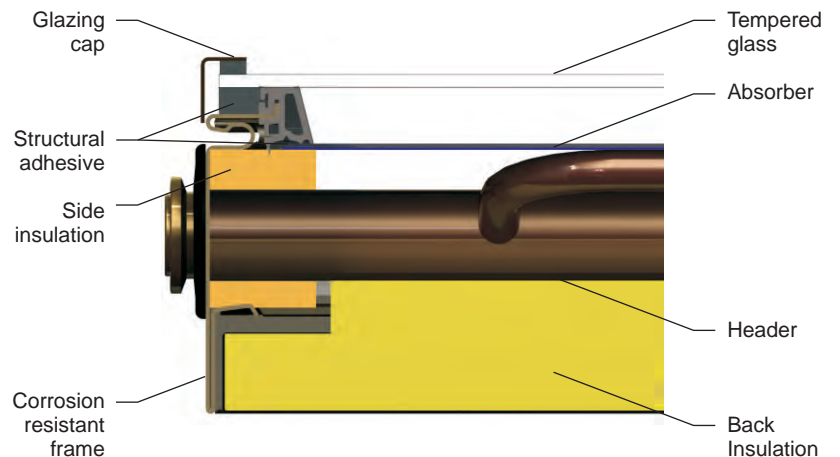
Two collectors shown; up to 10 can be installed in a bank



Collector bank dimensions										
Dimension	# of collectors									
	1	2	3	4	5	6	7	8	9	10
A	46.25"	95.50"	144.75"	194"	243.25"	292.50"	341.75"	401"	440.25"	489.50"



### CROSS SECTION VIEW



### COMPANY PROFILE

Enerworks Inc. is a leading North American manufacturer of solar thermal products. For more information about our products visit:

Commercial Solar Thermal Products: [www.enerworks.com/commercial](http://www.enerworks.com/commercial)  
 Online Store: [www.solarthermal.com](http://www.solarthermal.com)  
 Contact us: [www.enerworks.com/contact-us/](http://www.enerworks.com/contact-us/)  
 1-877-268-6502  
 Solar Pool Heaters: [www.enersol.com](http://www.enersol.com)